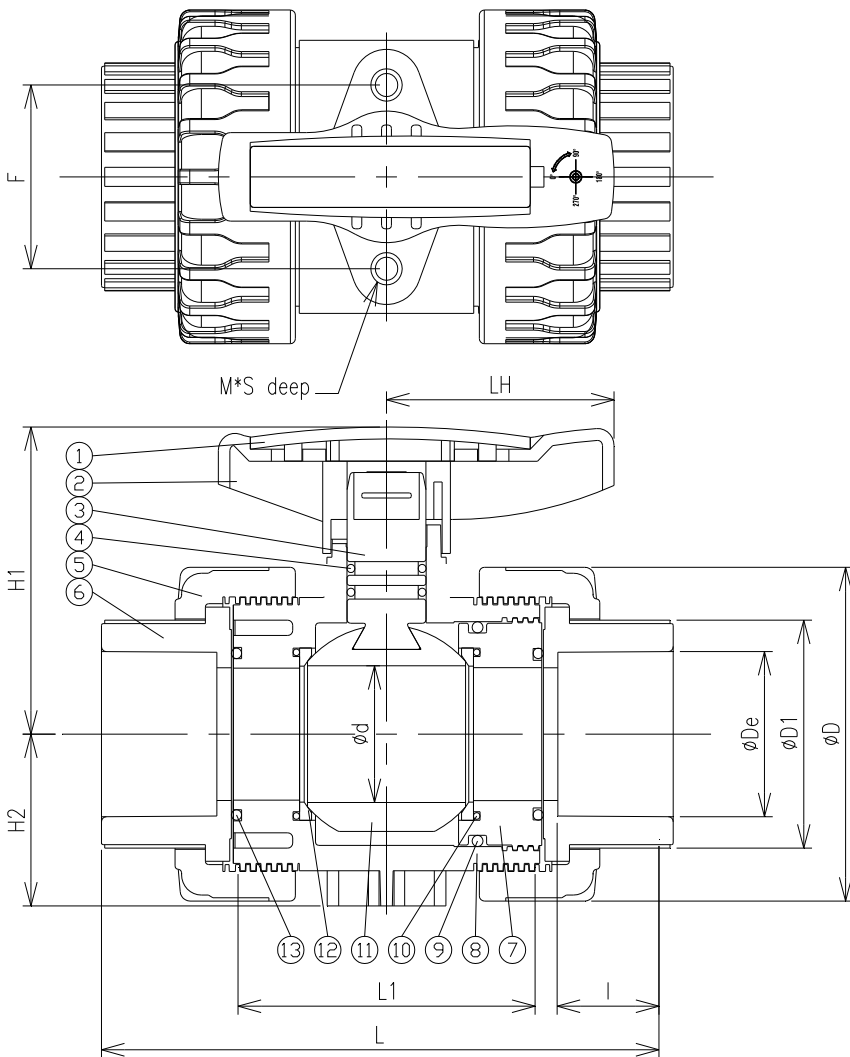


SUPERTUNG

TRUE UNION BALL VALVE 1/2"~2-1/2"*



- Working pressure : 150 PSI / 73°F
- Full port design
- Easy Maintenance
- Easy automated
- Teflon seat
- Double O-ring steam seals



No	PARTS NAME	Q'TY	MATERIAL
1	HANDLE CAP	1	ABS
2	HANDLE	1	ABS
3	STEM	1	PVC,CPVC
4	O-RING	2	EPDM,FPM
5	NUT	2	PVC,CPVC
6	CONNECTOR	2	PVC,CPVC
7	CARRY	1	PVC,CPVC
8	BODY	1	PVC,CPVC
9	O-RING	1	EPDM,FPM
10	O-RING	2	EPDM,FPM
11	BALL	1	PVC,CPVC
12	SEAT	2	PTFE
13	O-RING	2	EPDM,FPM

SIZE	F	M	S
1/2" (15mm)	30	3.5	6
3/4" (20mm)	33	5	8
1" (25mm)	40	6	12
1-1/4" (32mm)	47	8	11
1-1/2" (40mm)	54	8	12
2" (50mm)	70	8	15
2-1/2" (65mm)*	70	8	15

SIZE	D	L	ANSI		DIN		JIS		CNS		NPT	BSPT	BSPF	D1	d	L1	LH	H1	H2
			φ de	l	φ de	l	φ de	l	φ de	l									
1/2" (15mm)	46	116	21.34	22.5	20	20	22	22.5	22	22.5	14	14	14	32	14	62	45	49	23.5
3/4" (20mm)	56	133	26.67	25.7	25	23	26	25.7	26	25.7	14	14	14	38	20	72	52	60	29
1" (25mm)	66	150	33.4	28.9	32	26	32	28.9	34	28.9	11.5	11	11	45	25	80	58	69	35
1-1/4" (32mm)	82	168	42.16	33.8	40	31	38	33.8	42	33.8	11.5	11	11	55	31	87	66	76	42.5
1-1/2" (40mm)	98	173	48.26	35	50	34	48	35	48	35	11.5	11	11	67	40	94	69	91	50.5
2" (50mm)	120	206	60.32	38.5	63	38.5	60	38.5	60	38.5	11.5	11	11	81	50	112	81	110	61
2-1/2" (65mm)*	120	211	73.02	41.5	75	41.5	76	41.5	76	41.5	8	11	11	89	50	112	81	110	61

*:Decrement Type-inside diameter 50

Technical Information

Item	Description	Size	Material		
			Body	Seat	O-ring
(1)	True Union Ball Valve	1/2"(DN15)	PVC,CPVC	PTFE	EPDM,FPM
(2)	True Union Ball Valve	3/4"(DN20)	PVC,CPVC	PTFE	EPDM,FPM
(3)	True Union Ball Valve	1"(DN25)	PVC,CPVC	PTFE	EPDM,FPM
(4)	True Union Ball Valve	1-1/4"(DN32)	PVC,CPVC	PTFE	EPDM,FPM
(5)	True Union Ball Valve	1-1/2"(DN40)	PVC,CPVC	PTFE	EPDM,FPM
(6)	True Union Ball Valve	2"(DN50)	PVC,CPVC	PTFE	EPDM,FPM
(7)	True Union Ball Valve	2-1/2"(DN65)*	PVC,CPVC	PTFE	EPDM,FPM

*:Decrement type:inside diameter 50mm

Size	Hydrostatic Testing		Seat and O-ring Tests		Torque kg*cm	Cv
	Burst pressure water(kg/cm ²) min	Long-term behaviour test water(kg/cm ²)	Seat valve close air kg/cm ²	O-ring valve open air kg/cm ²		
1/2"(DN15)	42	22	6	6	25	8
3/4"(DN20)	42	22	6	6	30	15
1"(DN25)	42	22	6	6	35	29
1-1/4"(DN32)	42	22	6	6	65	75
1-1/2"(DN40)	42	22	6	6	75	90
2"(DN50)	42	22	6	6	95	140
2-1/2"(DN65)*	42	22	6	6	95	140

*:Decrement type:inside diameter 50mm

