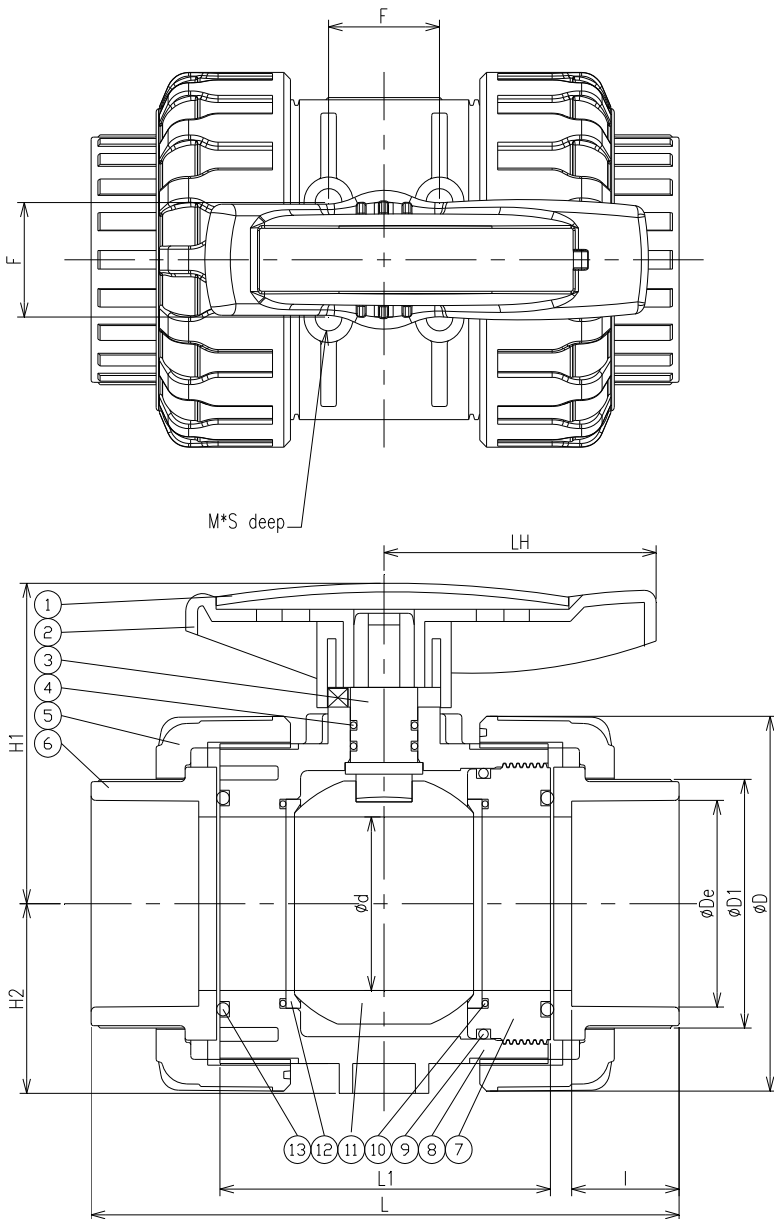


SUPERTUNG

TRUE UNION BALL VALVE 2-1/2"~4"



- Working pressure : 150 PSI / 73°F
- Full port design
- Easy Maintenance
- Easy automated
- Teflon seat
- Double O-ring steam seals



No	PARTS NAME	Q'TY	MATERIAL
1	HANDLE CAP	1	ABS
2	HANDLE	1	ABS
3	STEM	1	PVC,CPVC
4	O-RING	2	EPDM,FPM
5	NUT	2	PVC,CPVC
6	CONNECTOR	2	PVC,CPVC
7	CARRY	1	PVC,CPVC
8	BODY	1	PVC,CPVC
9	O-RING	1	EPDM,FPM
10	O-RING	2	EPDM,FPM
11	BALL	1	PVC,CPVC
12	SEAT	2	PTFE
13	O-RING	2	EPDM,FPM

SIZE	F	M	S
2-1/2" (65mm)	49.5	8	15
3" (80mm)	49.5	8	15
4" (100mm)	72	10	20

SIZE	D	L	ANSI		DIN		JIS		CNS		NPT	BSPT	BSPF	D1	d	L1	LH	H1	H2
			ø de	l	ø de	l	ø de	l	ø de	l									
2-1/2" (65mm)	162	254	73.02	45	75	45	76	45	76	45	8	11	11	92	75	147	118	140	82
3" (80mm)	162	262	88.9	48	90	51	89	51	89	51	8	11	11	108	75	147	118	140	82
4" (100mm)	220	311	114.3	57.5	110	61	114	61	114	61	8	11	11	134	100	177	140	185	111

Technical Information

Item	Description	Size	Material		
			Body	Seat	O-ring
(1)	True Union Ball Valve	2-1/2"(DN65)	PVC,CPVC	PTFE	EPDM,FPM
(2)	True Union Ball Valve	3"(DN80)	PVC,CPVC	PTFE	EPDM,FPM
(3)	True Union Ball Valve	4"(DN100)	PVC,CPVC	PTFE	EPDM,FPM

Size	Hydrostatic Testing		Seat and O-ring Tests		Torque kg*cm	Cv
	Burst pressure water(kg/cm ²) min	Long-term behaviour test water(kg/cm ²)	Seat valve close air kg/cm ²	O-ring valve open air kg/cm ²		
2-1/2"(DN65)	31	22	6	6	150	330
3"(DN80)	31	22	6	6	150	480
4"(DN100)	31	22	6	6	250	600

